

V6A Type Crystal Crystal Unit

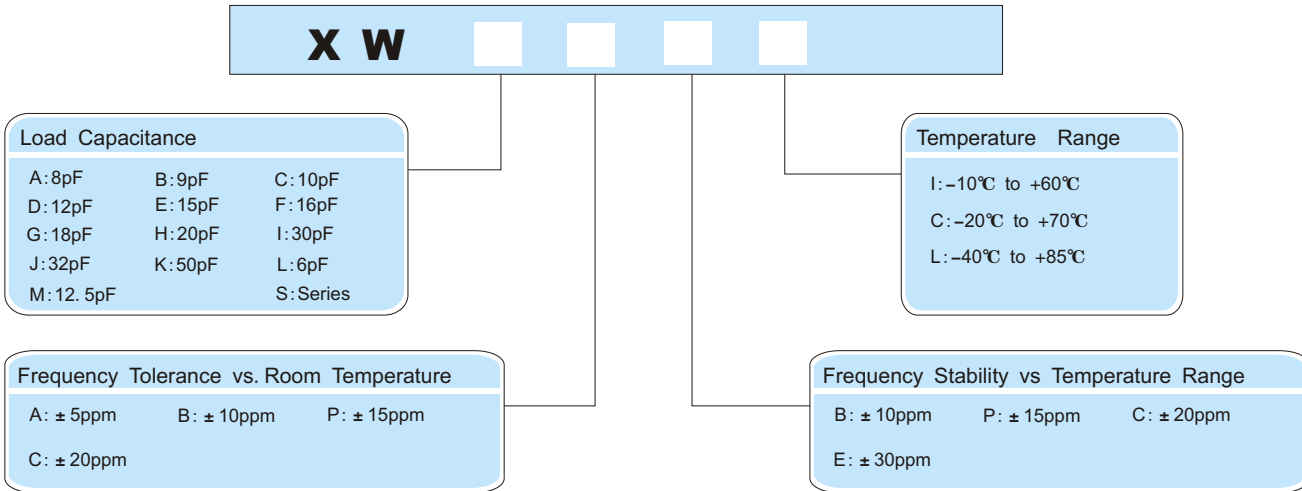
ROHS Compliant Standard



FEATURE

- 1、4.0×2.5×0.8mm ceramic package.
- 2、For Bluetooth™ and GSM mobile phone.
- 3、AU-SU Seal with vacuum.

Numbering system



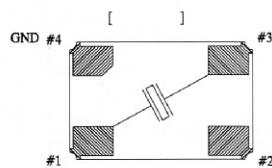
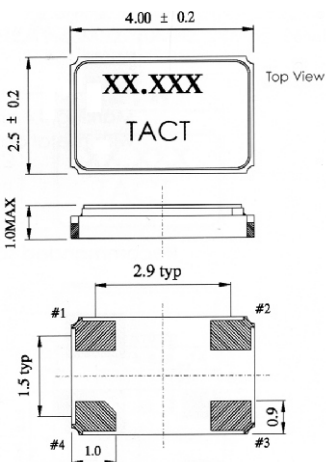
ELECTRICAL SPECIFICATION

| | |
|---------------------------|---|
| Standard Frequency | 13.0MHz, 16.0MHz, 26.0MHz, 32.0MHz, 50.0MHz |
| Drive Level | 10 μw TYPICAL, 100 μw Max |
| Storage Temperature Range | -40°C ~ +85°C |
| Shunt Capacitance (Co) | 3.0pF Max |
| Insulation Resistance | 500MΩMin. @ DC 100V |
| Aging | ± 1.0PPM/YEAR |

EQUIVALENT SERIES RESISTANCE

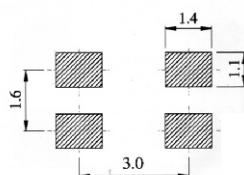
| TYPE | FREQUENCY | MOOE | E. S. R |
|------|-----------|------|---------|
| | 13MHz | AT1 | 80 Ω |
| | 16MHz | AT1 | 80 Ω |
| | 26MHz | AT1 | 50 Ω |
| | 32MHz | AT1 | 50 Ω |
| | 50MHz | AT1 | 50 Ω |

OUTLINE DRAWING



Marking #4 and #2 are connected with metal cap of top.

Recommended soldering pattern.



FBEQ. STABILITY VS. TEMP. PANGE

| Temp. (°C) | PPM | A: ±5 | B: ±10 | P: ±15 | C: ±20 |
|------------|---------|-------|--------|--------|--------|
| I | -10~+60 | ○ | ○ | ○ | ○ |
| C | -20~+70 | × | ○ | ○ | ○ |
| L | -40~+85 | × | ○ | ○ | ○ |

○: Standard △: Available (case by case) ×: Not available

Product Profile SMD Quartz Crystal