

Ceramic Resonator (Chip Type, Built-in Capacitors) ROHS Compliant Standard



FEATURES

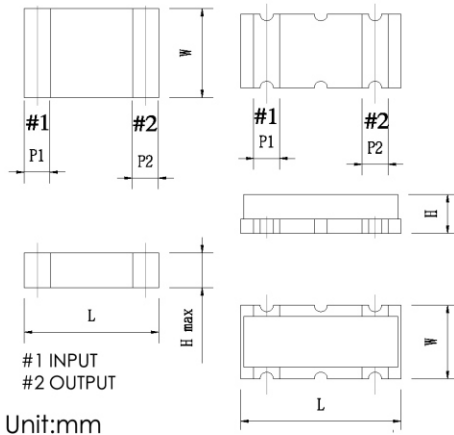
- ▲ Available for the wide frequency range 2.0MHz~50.0MHz
- ▲ Leadless-type surface mounting ceramic resonator.
- ▲ Low Price.
- ▲ Having stable resonant characteristics.
- ▲ Having wide temperature characteristics range.
- ▲ Automatic and perfect packaging due to emboss taping.
- ▲ Reflow soldering.

SPECIFICATION

- ▲ **FREQUENCY RANGE:**
2.0~50.0MHz
- ▲ **FREQUENCY ACCURACY:**
±0.5%
- ▲ **STABILITY IN TEMPERATURE:**
±0.3% 2.00~6.99MHz, 13.01~50MHz
±0.4% 7.00~13.00MHz
- ▲ **OPERATING TEMPERATURE:**
-20°C~+80°C
- ▲ **AGING FOR TEN YEARS:**
±0.3%



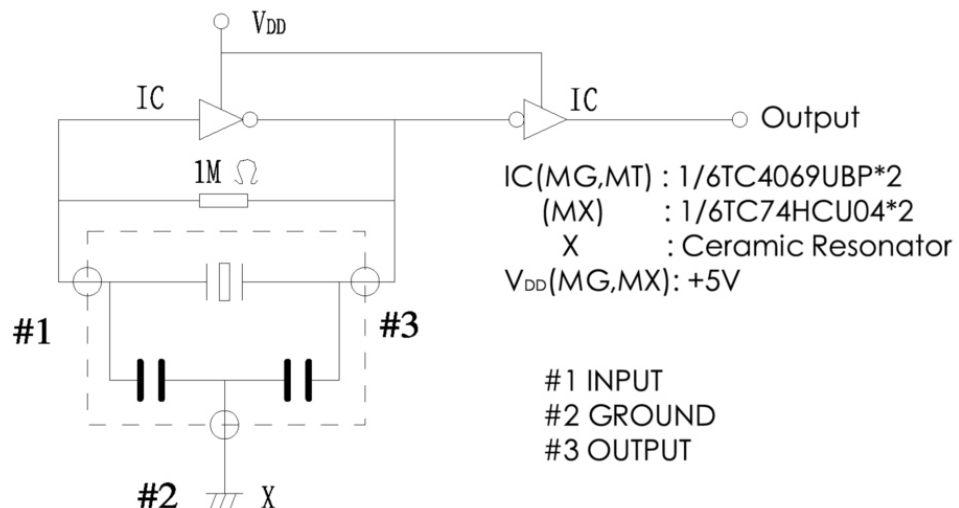
OUTLINE DRAWING



	MARK:
1	XX.XX.YX XX.XX=FREQUENCY (MHz) Y-LAST DIGIT OF YEAR M=MONTH A-JAN G-JUL B-FEB H-AUG C-MAR I-SEP D-APR J-OCT E-MAY K-NOV F-JUN L-DEC
2	MARK BY CUSTOMER MAX. CODE OF LINE 7CODES

Code Part NO.	Dimensions (mm)								
	L	W	H	P1	P2	T1	T2	T3	W1
CCAG-CNANN	7.4±0.3	3.4±0.3	1.8±0.3	1.2±0.3	1.2±0.3	1.5±0.3	1.7±0.3	2.5±0.3	4.0±0.3
CSAG-CNANN	4.7±0.2	4.1±0.2	1.6±0.3	1.0±0.4	0.8±0.4	1.3±0.2	0.8±0.2	1.95±0.3	5.1±0.2
CVAG-CNANN	3.7±0.2	3.1±0.2	1.2±0.3	0.9±0.4	0.7±0.3	1.0±0.2	0.7±0.2	1.5±0.2	4.1±0.2

TEST CIRCUIT FOR MOS IC



CERAMIC RESONATOR