

# Ceramic Resonator (Without Built-in Capacitors)

ROHS Compliant Standard



## FEATURES

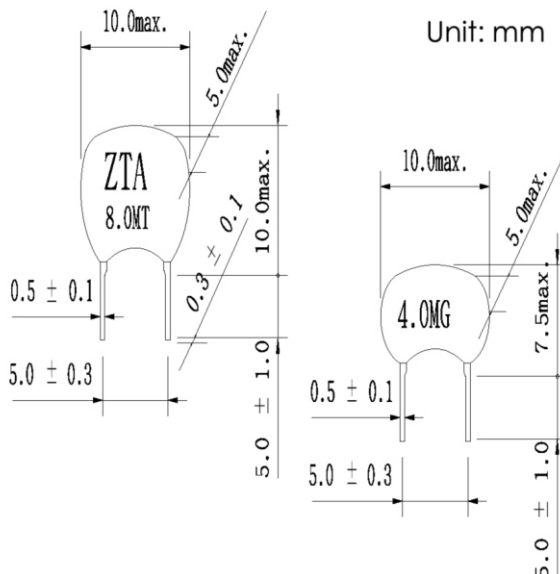
- ▲ Available for the wide frequency range 1.8MHz~50.0MHz
- ▲ Small Size.
- ▲ Low Price.
- ▲ Having stable resonant characteristics.
- ▲ Having wide temperature characteristics range.
- ▲ Part Number  
CTAGECNANN

## SPECIFICATION

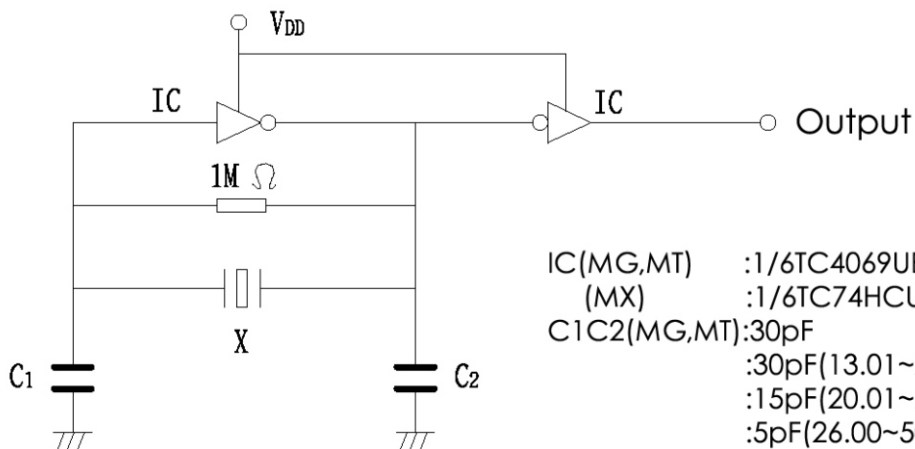
- ▲ **FREQUENCY RANGE:**  
1.8~50.0MHz
- ▲ **FREQUENCY ACCURACY:**  
±0.5%
- ▲ **STABILITY IN TEMPERATURE:**  
±0.3%
- ▲ **OPERATING TEMPERATURE:**  
-20°C~+80°C
- ▲ **AGING FOR TEN YEARS:**  
±0.3%

## OUTLINE DRAWING

	MARK:
1	XX.XX YX XX.XX=FREQUENCY (MHz) Y-LAST DIGIT OF YEAR
	M=MONTH A-JAN    G-JUL B-FEB    H-AUG C-MAR    I-SEP D-APR    J-OCT E-MAY    K-NOV F-JUN    L-DEC
2	MARK BY CUSTOMER MAX. CODE OF LINE 7CODES



## TEST CIRCUIT FOR MOS IC



IC(MG,MT) :1/6TC4069UBP\*2  
(MX) :1/6TC74HCU04\*2  
C1C2(MG,MT):30pF  
:30pF(13.01~20.0MHz)  
:15pF(20.01~25.99MHz)  
:5pF(26.00~50.00MHz)  
:Ceramic Resonator

V<sub>DD</sub>(MG,MX): +5V  
(MT) :+12V

CERAMIC RESONATOR