

F Type VCXO

ROHS Compliant Standard



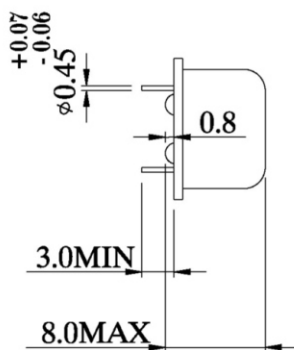
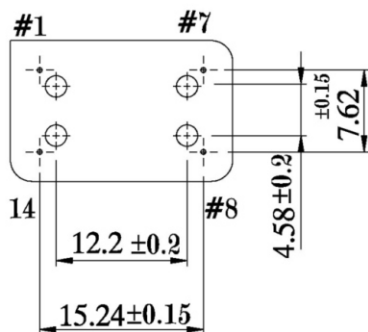
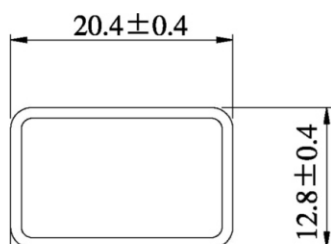
FEATURE

- 1、20.4×12.8×7.8mm.
- 2、Sine wave output.
- 3、Wide pulling ± 200 ppm.
- 4、Part Number VFTUKLW.

SPECIFICATION

Parameter	Symbol	Min	TYP.	Max	Unit
Frequency	Fo	-	44.736	-	Mhz
Operating Temperature Range	-	-40	-	+85	°C
Frequency Stability Overall *	-	-40	-	+40	Ppm
Initial Deviation (25±2°C)	-	-	-	+5.0	Ppm
Voltage Coefficient	-	-	-	+3.0	Ppm
Temperature Characteristics	-	-	-	±21.0	Ppm
Aging	-	-	-	±11.0	Ppm/20Ys
Supply Voltage	VDD	4.5	5.0	5.5	V
Current Consumption	Lcc	-	-	15	MA
Output Level	Sine wave	-	1.0	-	Vp-p
Fanout	-	180	200	220	OHM
Pulling Range	-	±200	-	±400	Ppm
Control Voltage Range	VC	0.0	-	3.6	V
Center Voltage	VC	-	1.8	-	V
Storage Temperature	-	-55	-	±125	°C

*Inclusive of calibration at 25°C, operating temperature range, input voltage variation, load variation, aging, shock, and vibration



PIN	FUNCTION
#1	VC
#2	GND
#3	OUT
#4	VDD

VCXO